

Control Stations & Switches: Switches, Circuit Breakers and "Break Glass" Call Points

CBU and SWU Series: Branch Circuit Breakers and Switches for Increased Safety Enclosures



2-Pole Circuit Breaker with GFI



4-Pole Circuit Breaker



2-Pole Circuit Breaker



4-Pole Switch

Compliance Data:

ATEX - IECEx



Zone 1 & 2	ATEX	II 2 G	IECEx	CE
Ex de IIC				

Technical Data:

Circuit Breaker	Switch	Amperage	Voltage
1 to 4-Poles and 2P + GFI	2 to 4-poles	Up to 63 Amp	Up to 480 Vac and up to 125 Vdc

Service Temperature:

-20°C to + 100°C

Control Stations & Switches: Switches, Circuit Breakers and "Break Glass" Call Points

CBU and SWU Series: Branch Circuit Breakers and Switches for Increased Safety Enclosures

Zone 1 & 2

II 2 GD

ATEX / IECEx

Applications:

- Useful as back-up circuit breaker protection or as main circuit breaker protection for hazardous areas.
- To be fitted inside increased safety Ex e enclosures.

Features:

- Up to 40 A for 2-pole circuit breaker versions.
- Up to 63 A for 2-pole with GFI, 3-pole and 4-pole circuit breaker versions.
- Up to 63 A for switch versions.
- Breaking capacity 10 kA – 400 V according to EN/IEC 60947-2 standard.

- Breaking capacity 6 kA-400 V according to EN/IEC 60898 standard
- Supplied with front rotary control handle padlockable in OFF position.
- Terminal capacity: 1 x 25 mm².
- Mounting in polyester (ECEP series) or in 316L stainless steel (ECES series) enclosures. Can be fixed either on the door or at the back of the enclosure.

Standard Material of Fixture:

- Polyamide housing.

Catalog Number Logic

XXX ↓	X ↓	XX ↓	X ↓	XX ↓	XX ↓
Series: CBU = Circuit Breaker Zone 1 & 2, ATEX / IEC Certified SWU = Switch Zone 1 & 2, ATEX / IEC Certified	Number of Poles: 1 = 1-Pole 2 = 2-Poles 3 = 3-Poles 4 = 4-Poles 9 = 1-Pole + Neutral	Intensity: 01 = 1 A 02 = 2 A 03 = 3 A 04 = 4 A 06 = 6 A 10 = 10 A 16 = 16 A 20 = 20 A 25 = 25 A 32 = 32 A 40 = 40 A 50 = 50 A 63 = 63 A	Curve Type: B = Curve B C = Curve C D = Curve D	GFI: R1 = 30 mA R2 = 300 mA	Options: 5 = 440 Vac 6 = 480 Vac F5 = NO Fault Indication Contact F9 = NC Fault Indication Contact S5 = NO Auxiliary Contact S9 = NC Auxiliary Contact M = 10 kA/15 kA Breaking Capacity

Ordering Information:

Circuit Breakers – CBU Series:

2-Pole Branch Circuit Breaker – 400 Vac – 125 Vdc – Tripping Curve C

	Weight (kg)	Volume dm ³	Certified Type	Catalog Number	Pack
2 x 6 A	1.9	1.1	IT40U	CBU206C	1
2 x 10 A	1.9	1.1	IT40U	CBU210C	1
2 x 16 A	1.9	1.1	IT40U	CBU216C	1
2 x 20 A	1.9	1.1	IT40U	CBU220C	1

2-Pole GFI Branch Circuit Breaker – 400 Vac – 125 Vdc – Tripping Curve C

	Weight (kg)	Volume dm ³	Certified Type	Catalog Number	Pack
2 x 10 A / 30 mA	1.9	3.1	CBU	CBU210CR1	1
2 x 16 A / 30 mA	1.9	3.1	CBU	CBU216CR1	1
2 x 20 A / 30 mA	1.9	3.1	CBU	CBU220CR1	1
2 x 10 A / 300 mA	1.9	3.1	CBU	CBU210CR2	1
2 x 16 A / 300 mA	1.9	3.1	CBU	CBU216CR2	1
2 x 20 A / 300 mA	1.9	3.1	CBU	CBU220CR2	1

Control Stations & Switches: Switches, Circuit Breakers and "Break Glass" Call Points

CBU and SWU Series: Branch Circuit Breakers and Switches for Increased Safety Enclosures

Zone 1 & 2
 Ⓜ II 2 GD
 ATEX / IECEx

Ordering Information – Continued:

Circuit Breakers – CBU Series:
 3-Pole Branch Circuit Breaker – 400 Vac – 125 Vdc – Tripping Curve C

	Weight (kg)	Volume dm ³	Certified Type	Catalog Number	Pack
3 x 10 A	1.9	3.1	CBU	CBU310C	1
3 x 16 A	1.9	3.1	CBU	CBU316C	1
3 x 20 A	1.9	3.1	CBU	CBU320C	1

4-Pole Branch Circuit Breaker – 400 Vac – 125 Vdc – Tripping Curve C

	Weight (kg)	Volume dm ³	Certified Type	Catalog Number	Pack
4 x 10 A	1.9	3.1	CBU	CBU410C	1
4 x 16 A	1.9	3.1	CBU	CBU416C	1
4 x 20 A	1.9	3.1	CBU	CBU420C	1


Switches – SWU Series:

Up to 40 Amps for two pole version
 Up to 63 Amps for three and four pole versions.
 Example: 3-pole 25 A switch – SWU325

Relays and Contactors – RCU Series:

2 and 4-pole versions.
 Rated current: 20 A, 24 A, 40 A and 63 A.
 Rated voltage: Up to 400 V - 50/60 Hz.
 Coil voltage: Up to 230 V - 50/60 Hz.
 Consult factory for further details.

Accessories:

Description	Catalog Number	Pack
 Bracket		
Bracket for door fixing for 2-pole MCB	096650	1

Compliances

Hazardous Area	Gas	
Certified Type	IT40U (2-pole Versions)	CBU (2-pole GFI, 3-pole and 4-pole Versions)
Zones	1-2 Authorized to be used in an approved dustproof enclosure	
Conforming to ATEX 94/9/CE	CE 0081 Ⓜ II 2 G	
Symbol of Protection ATEX	Ex de IIC	
Symbol of Protection IEC		
T Rating	N.A.	
Surface Temperature	N.A.	
Service Temperature	-20°C to +100°C	
CE Declaration of Conformity	5C216	5C244
ATEX Certificate	LCIE 02 ATEX 0035U	LCIE 09 ATEX 3068U
IECEx Certificate	IECEx LCI 04.0033U	IECEx LCI 09.0023L
Other Certifications	GOST	–
Ingress Protection (solid and liquid)	N.A.	
Impact Resistance (shock)	N.A.	

Standards:

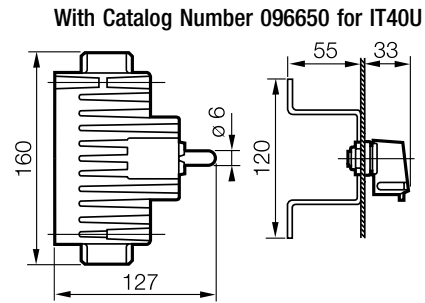
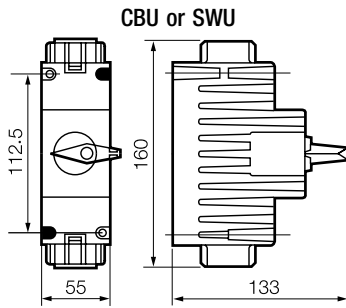
Ex Standards	EN / IEC 60079-0; 60079-1; 60079-7
Product Standards	EN / IEC 60947-1; 60947-2; 60947-3
EMC Standards	–
Other Standards	–

Control Stations & Switches: Switches, Circuit Breakers and "Break Glass" Call Points

CBU and SWU Series: Circuit Breakers and Switches for Increased Safety Enclosures

Zone 1 & 2
 II 2 GD
 ATEX / IECEx

Dimensions (mm):
 2-Pole Versions



2-Pole with GFI, 3-Pole and 4-Pole Versions

